

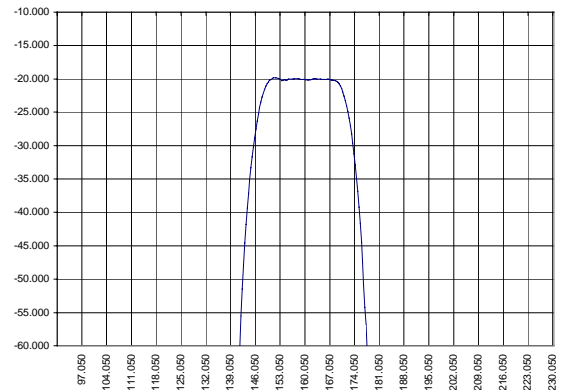
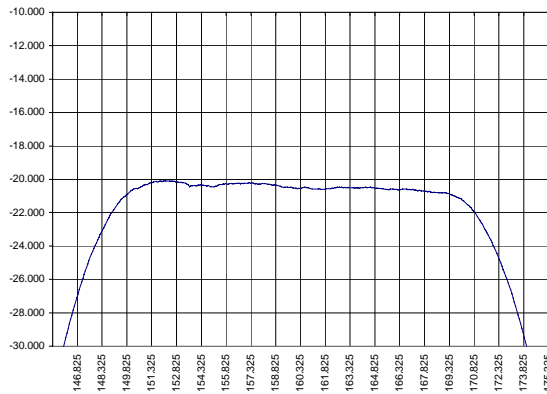
# IF GPS SAW 160.4 MHz Filter

**Bandwidth 20.6 MHz**

**AEC Part Number AE5517AH-160.4**

PRELIMINARY DATA

## Typical performance



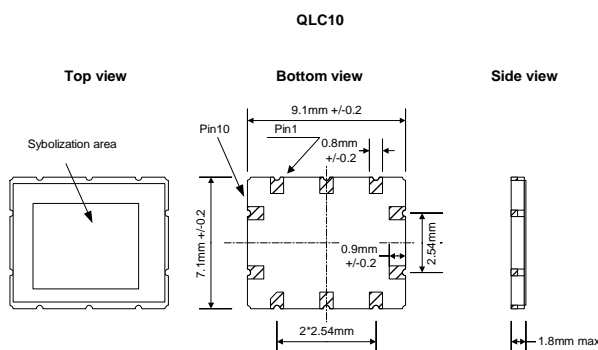
## Specifications

Parameter	Unit	Min	Typ	Max
Central frequency	MHz	160.0	160.4	160.8
Inserted loss (matched)	dB	20	21	22
Bandwidth @-3 dB	MHz	20.4	20.6	-
Bandwidth @-40 dB	MHz	-	39.5	41.3
Amplitude ripple	dB	-	1.0	-
Group Delay ripple	nsec	-	6	10
Ultimate rejection	dB	45.0	-	-
Substrate		-	128 XY LiNbO3	-
Temperature range	°C	-55		85

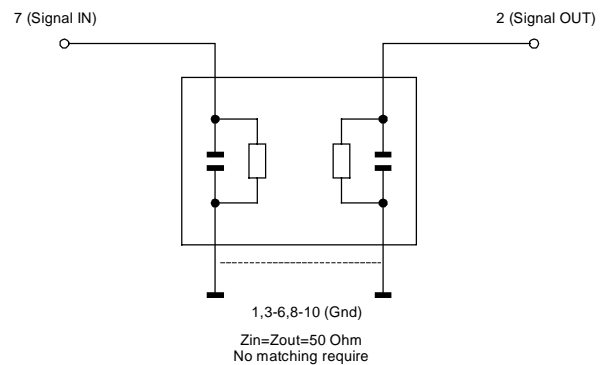
### Notes:

1. The design, manufacturing process, and specifications of this filter are subject to change.
2. Specification valid for measurements in AEC test fixture

## Case



## Matching



Matching elements depends on PCB